

floor layout

- D1 steel door: W900mm\*H2080mm
- Ext. wall 75mmEPS sandwich panel, two sides 0.45mm steel sheet (white) ,EPS density12kg/m<sup>2</sup>
- Int. wall 50mmEPS sandwich panel, two sides 0.45mm steel sheet (white) ,EPS density12kg/m<sup>2</sup>
- Floor fiber cement board +PVC

版本 Rev.	修改內容 Description	日期 Date

Zhejiang Putian integrated housing Co., Ltd.  
 Hangzhou Zhonggu Architecture Design (Institute) Co., Ltd.

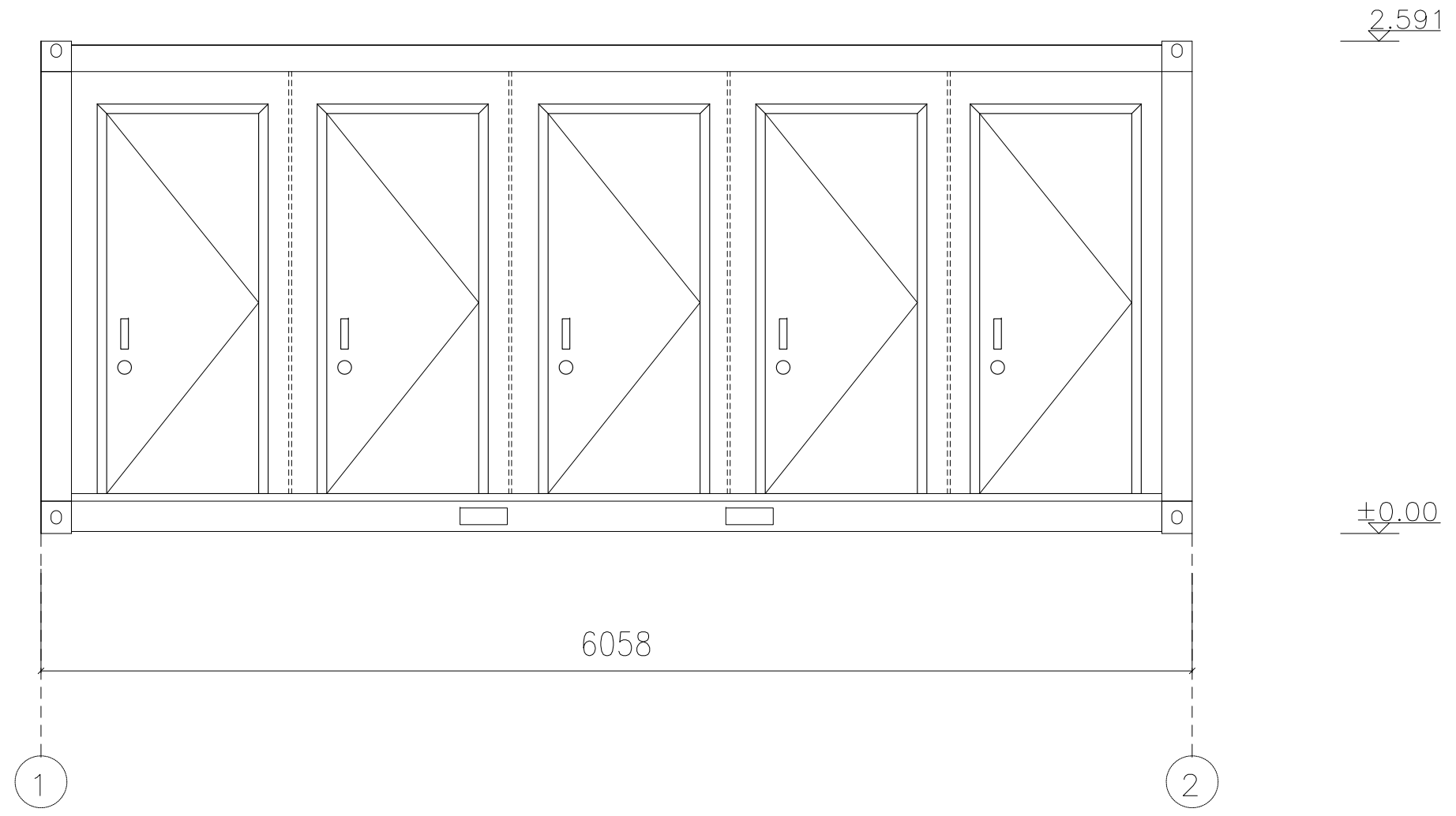
证书编号	
合作设计单位 Cooperative Designer	

工序 Process	签名 Signature	日期 Date
审 定 Authorized By		
审 核 Verified By		
项目负责人 Project Leader		
校 对 Checked By		
设 计 Designed By	海林	
绘 图 Drawn By	海林	
专业签字 Engineer Signature		

出图签字 Drawing Release Signature	
项目名称 Project Name	20ft container with 5rooms
图 名 Title	

工程编号 Project No.	专业 Major	建筑
比例 Scale	图 号 Drawing No.	
未盖技术出图章 本图纸无效 This drawing is valid only after being stamped and released by the R&D		

Copyright 2016.  
 本圖版權歸浙江普天集成房屋有限公司所有，除本工程外對本圖的任何其他用途和複製，均須獲得本公司的書面許可。  
 THE OWNERSHIP OF THE COPYRIGHT IN THIS DRAWING REMAINS BY ZHEJIANG PUTIAN INTEGRATED HOUSING CO.,LTD. WRITTEN CONSENT MUST BE OBTAINED BEFORE ANY USE OR REPRODUCTION OF THE DRAWING.



1~2 grid elevation


版本 Rev.	修改內容 Description	日期 Date
------------	---------------------	------------



Zhejiang Putian integrated housing Co., Ltd.  
 Hangzhou Zhonggu Architecture Design (Institute) Co., Ltd.

证书编号  
 证书编号

合作设计单位  
 Cooperative Designer

工序 Process	签名 Signature	日期 Date
---------------	-----------------	------------

审 定  
 Authorized By

审 核  
 Verified By

项目负责人  
 Project Leader

校 对  
 Checked By

设 计  
 Designed By *海林*

制 图  
 Drawn By *海林*

设计签字  
 Engineer Signature

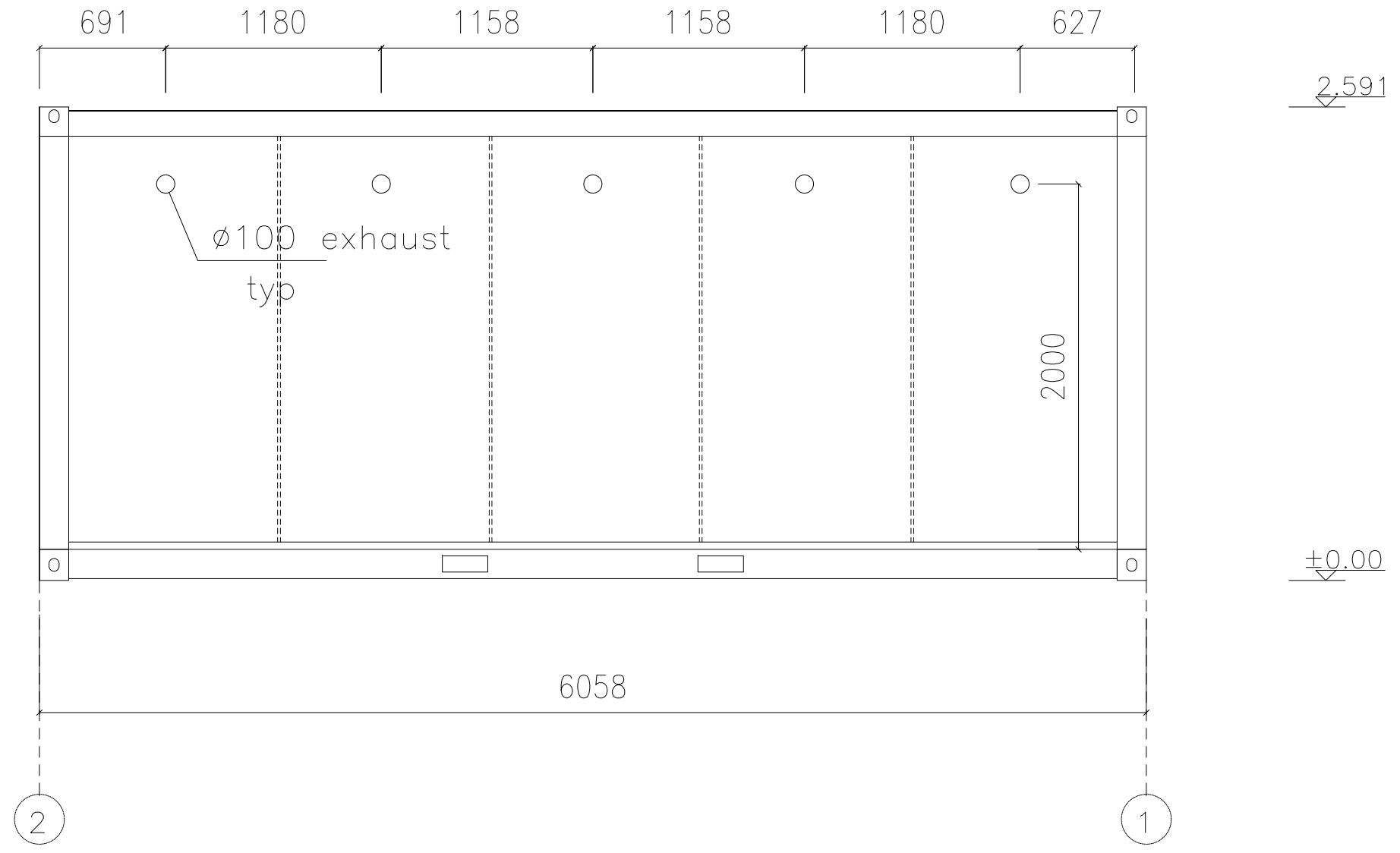
出图签字  
 Drawing Release Signature

项目名称  
 Project Name  
 20ft container with 5rooms

图 名  
 Title

工程编号 Project No.	专业 Major	建筑
比例 Scale	图 号 Drawing No.	

未盖技术出图章 本图纸无效  
 This drawing is valid only after being stamped and released by the R&D



2~1 grid elevation


版本 Rev.	修改內容 Description	日期 Date
------------	---------------------	------------



Zhejiang Putian integrated housing Co., Ltd.  
 Hangzhou Zhongou Architecture Design (Institute) Co., Ltd.

证书编号	
------	--

合作设计单位 Cooperative Designer	
--------------------------------	--

工序 Process	姓名 Signature	日期 Date
---------------	-----------------	------------

审 定 Authorized By		
----------------------	--	--

审 核 Verified By		
--------------------	--	--

项目负责人 Project Leader		
-------------------------	--	--

校 对 Checked By		
-------------------	--	--

设 计 Designed By	海林	
--------------------	----	--

制 图 Drawn By	海林	
-----------------	----	--

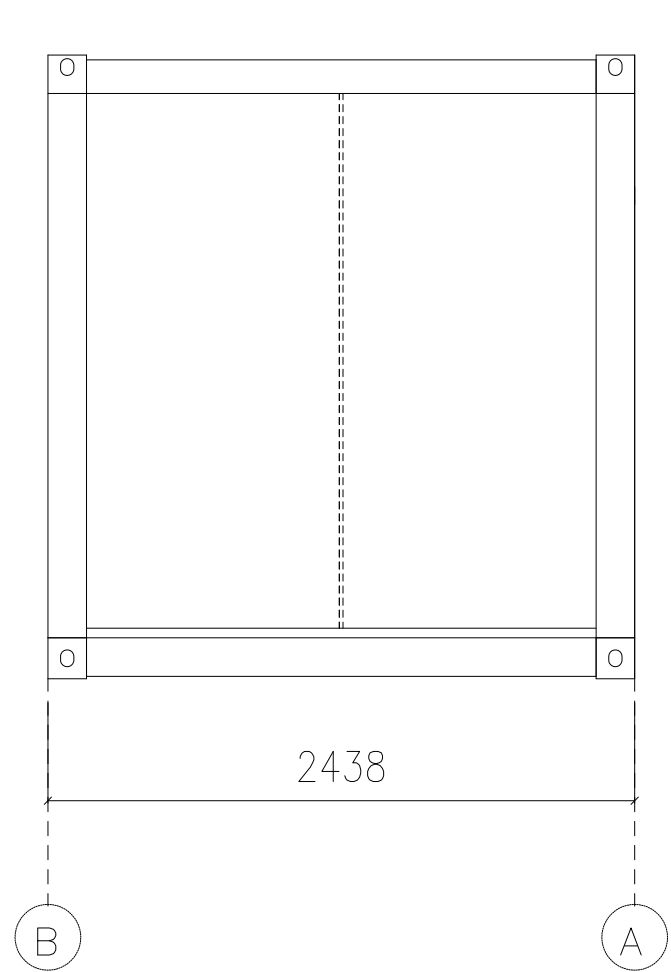
执业签章 Engineer Signature	
----------------------------	--

出图签章 Drawing Release Signature	
-----------------------------------	--

项目名称 Project Name	20ft container with 5rooms
----------------------	----------------------------

图 名 Title	
--------------	--

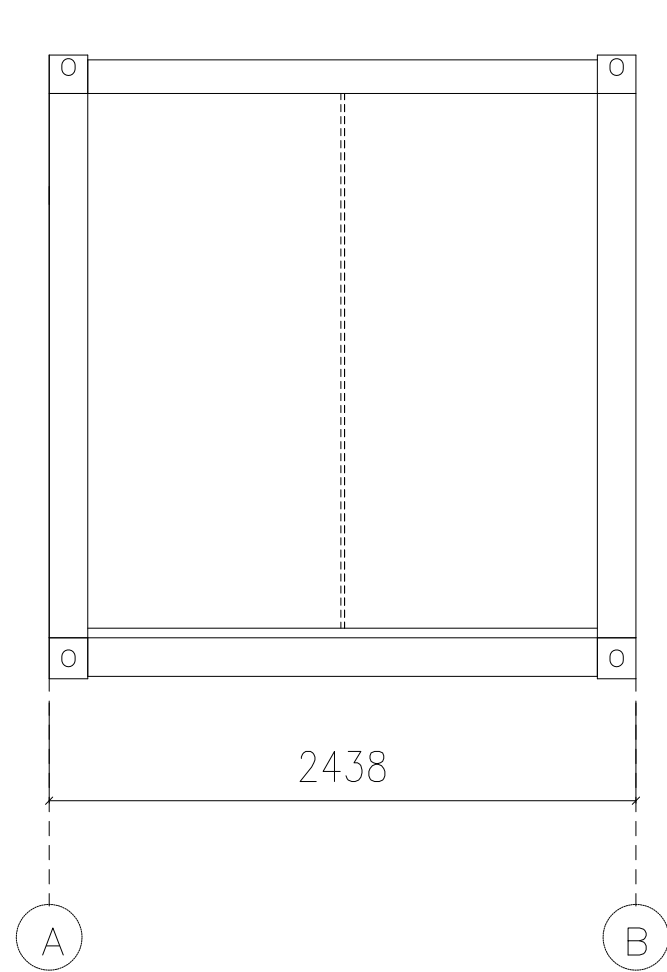
工程编号 Project No.		专业 Major	建筑
比例 Scale		图 号 Drawing No.	



B~A grid elevation

2.591

±0.00



A~B grid elevation

2.591

±0.00


版本 Rev.	修改內容 Description	日期 Date
------------	---------------------	------------



Zhejiang Putian integrated housing Co., Ltd.  
 Hangzhou Zhongou Architecture Design (Institute) Co., Ltd.

证书编号

合作设计单位  
 Cooperative Designer

工序 Process	签名 Signature	日期 Date
---------------	-----------------	------------

审 定  
 Authorized By

审 核  
 Verified By

项目负责人  
 Project Leader

校 对  
 Checked By

设 计  
 Designed By

制 图  
 Drawn By

执业签章  
 Engineer Signature

出图签章  
 Drawing Release Signature

项目名称  
 Project Name

20ft container with 5rooms

图 名  
 Title

工程编号  
 Project No.

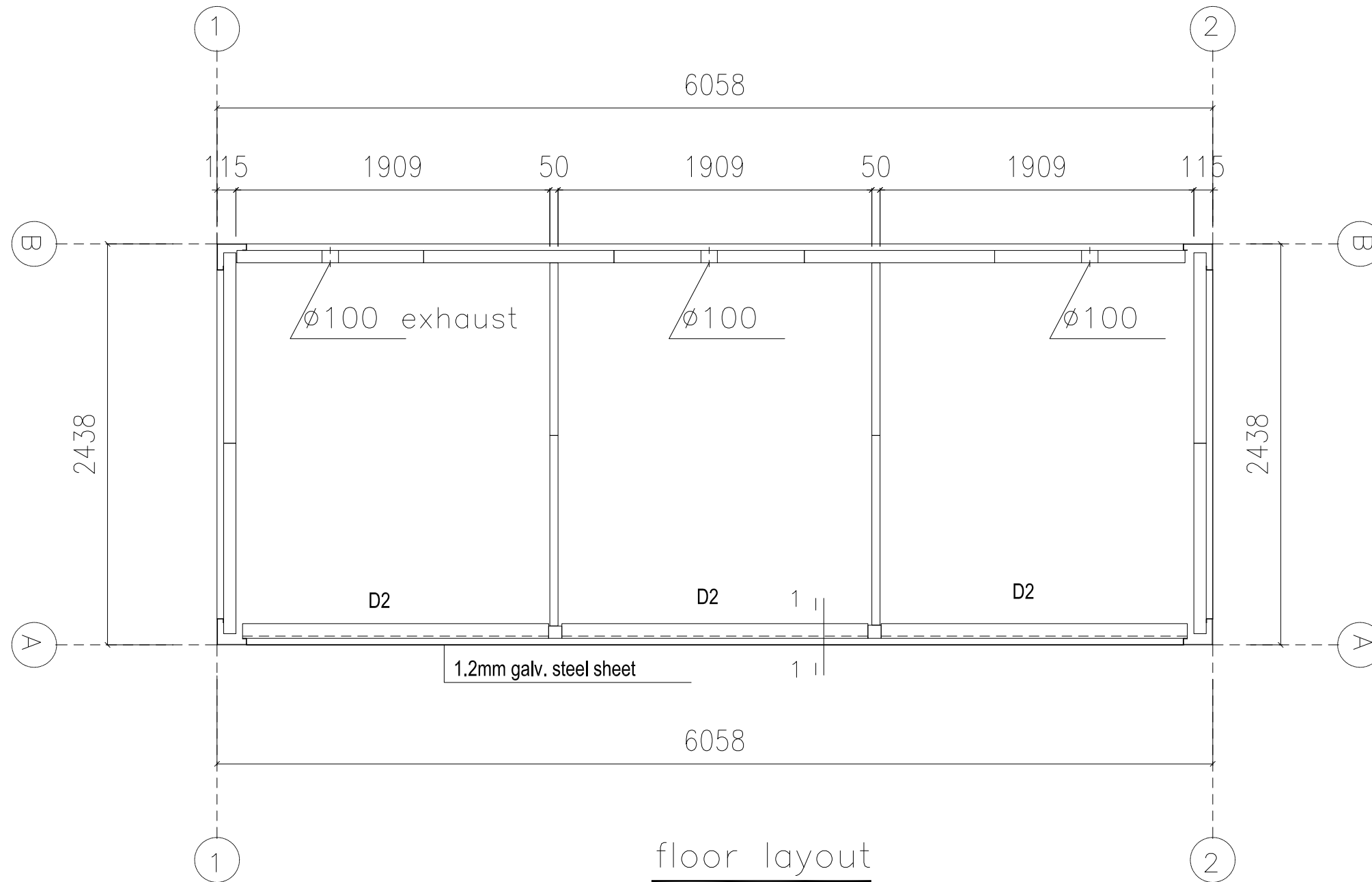
专业  
 Major

建筑

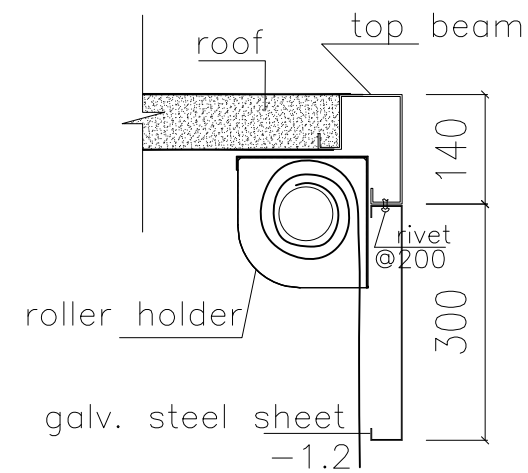
比 例  
 Scale

图 号  
 Drawing No.

未盖技术出图章 本图纸无效  
 This drawing is valid only after being stamped and released by the R&D



floor layout



1-1  
covering plate

D2 roller door: W1860mm\*H2300mm

Ext. wall 75mmEPS sandwich panel, two sides 0.45mm steel sheet (white),EPS density12kg/m<sup>2</sup>

Int. wall 50mmEPS sandwich panel, two sides 0.45mm steel sheet (white),EPS density12kg/m<sup>2</sup>

Floor fiber cement board +PVC

版本 Rev.	修改內容 Description	日期 Date



Zhejiang Putian integrated housing Co., Ltd.  
 Hangzhou Zhongwu Architecture Design (institute)Co., Ltd.

证书等级  
Certificate Grade

证书编号  
Certificate No.

合作设计单位  
Cooperative Designer

工序 Process	签名 Signature	日期 Date
审 定 Authorized By		
审 核 Verified By		
项目负责人 Project Leader		
校 对 Checked By		
设 计 Designed By	海林	
制 图 Drawn By	海林	
设计签字 Engineer Signature		

出图签字  
Drawing Release Signature

项目名称  
Project Name  
20ft container with 3rooms

图 名  
Title  
PLAN

工程编号 Project No.	PT170310	专业 Major	建筑
比例 Scale		图号 Drawing No.	



1~2 grid elevation


版本 Rev.	修改內容 Description	日期 Date
------------	---------------------	------------



Zhejiang Putian integrated housing Co., Ltd.  
 Hangzhou Zhonggu Architecture Design (Institute) Co., Ltd.

证书编号

合作设计单位  
 Cooperative Designer

工序 Process	签名 Signature	日期 Date
---------------	-----------------	------------

审 定  
 Authorized By

审 核  
 Verified By

项目负责人  
 Project Leader

校 对  
 Checked By

设 计  
 Designed By

制 图  
 Drawn By

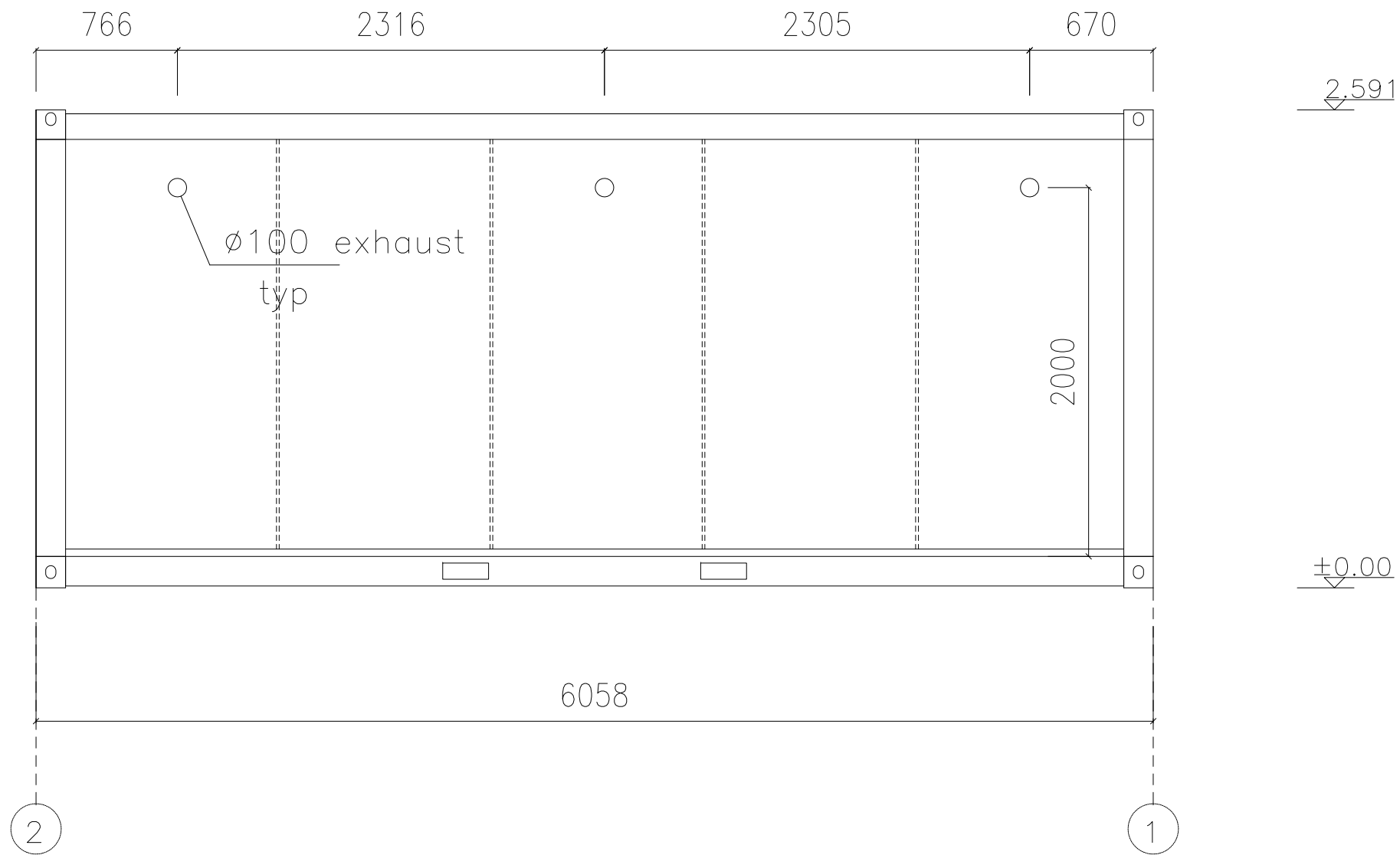
设计签字  
 Engineer Signature

出图签字  
 Drawing Release Signature

项目名称  
 Project Name  
 20ft container with 3rooms

图 名  
 Title  
 PLAN

工程编号 Project No.	PT170310	专业 Major	建筑
比例 Scale		图号 Drawing No.	



2~1 grid elevation


版本 Rev.	修改內容 Description	日期 Date
------------	---------------------	------------



Zhejiang Putian integrated housing Co., Ltd.  
 Hangzhou Zhonggu Architecture Design (Institute) Co., Ltd.

证书等级

证书编号

合作设计单位  
Cooperative Designer

工序 Process	姓名 Signature	日期 Date
---------------	-----------------	------------

审 定  
Authorized By

审 核  
Verified By

项目负责人  
Project Leader

校 对  
Checked By

设 计  
Designed By

制 图  
Drawn By

设计签字  
Engineer Signature

出图签字  
Drawing Release Signature

项目名称  
Project Name

20ft container with 3rooms

图 名  
Title

ELEVATION

工程编号  
Project No.

PT170310

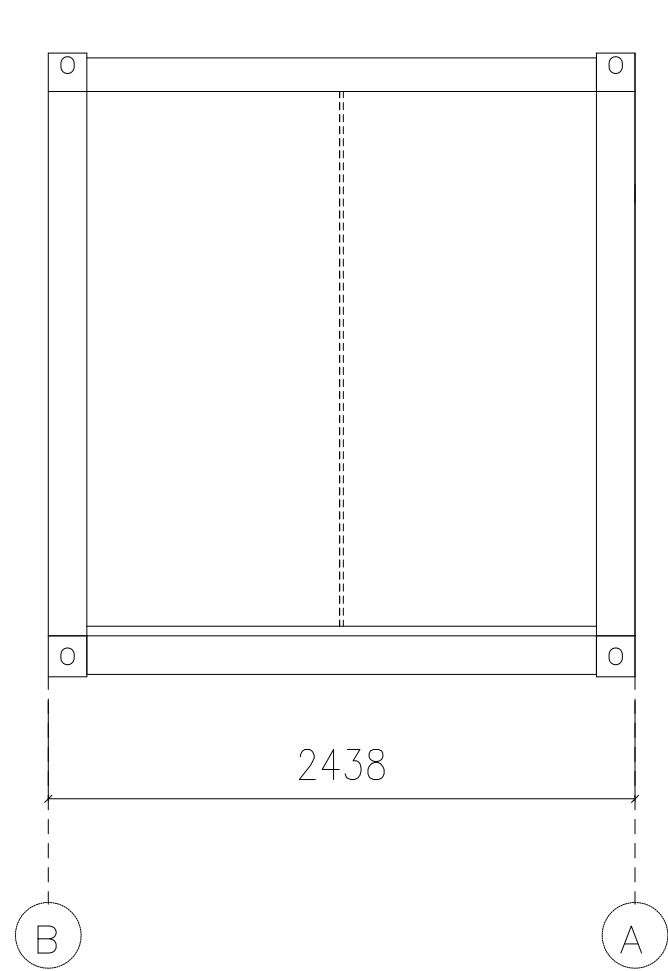
专业  
Major

建筑

比例  
Scale

1:1

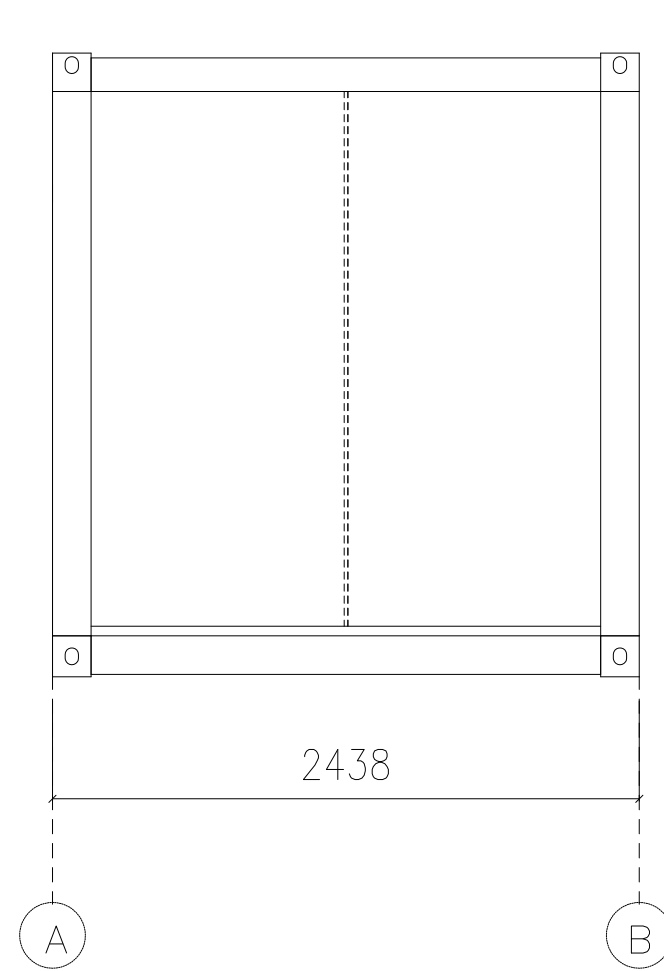
未盖技术出图章 本图纸无效  
This drawing is valid only after being stamped and released by the R&D



B~A grid elevation

2.591

±0.00



A~B grid elevation

2.591

±0.00


版本 Rev.	修改內容 Description	日期 Date
------------	---------------------	------------



Zhejiang Putian integrated housing Co., Ltd.  
 Hangzhou Zhonggu Architecture Design (Institute) Co., Ltd.

证书等级  
Certificate Level

合作设计单位  
Cooperative Designer

工序 Process	姓名 Signature	日期 Date
---------------	-----------------	------------

审 定  
Authorized By

审 核  
Verified By

项目负责人  
Project Leader

校 对  
Checked By

设 计  
Designed By

制 图  
Drawn By

设计签字  
Engineer Signature

出图签字  
Drawing Release Signature

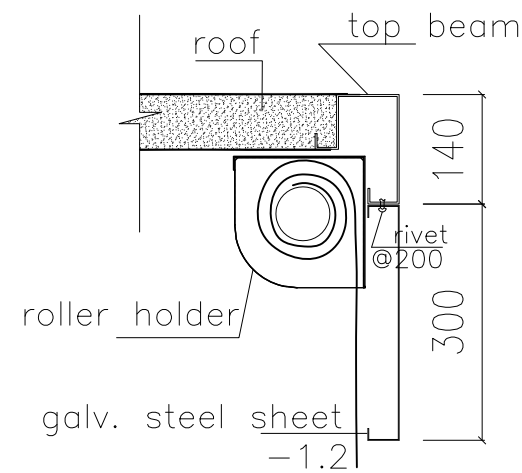
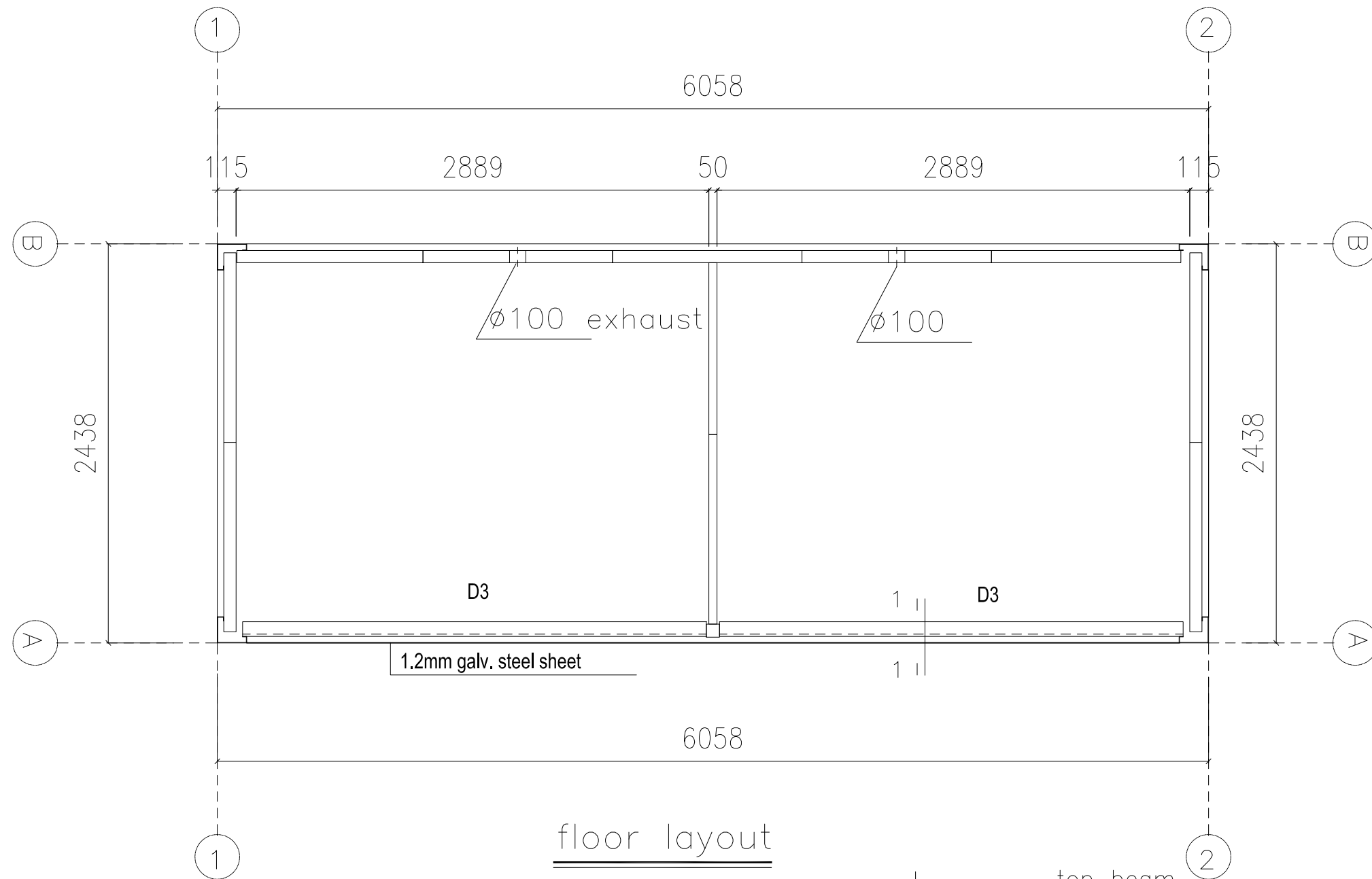
项目名称  
Project Name  
20ft container with 3rooms

图 名  
Title  
ELEVATION


工程编号 Project No.	PT170310	专业 Major	建筑
比 例 Scale		图 号 Drawing No.	

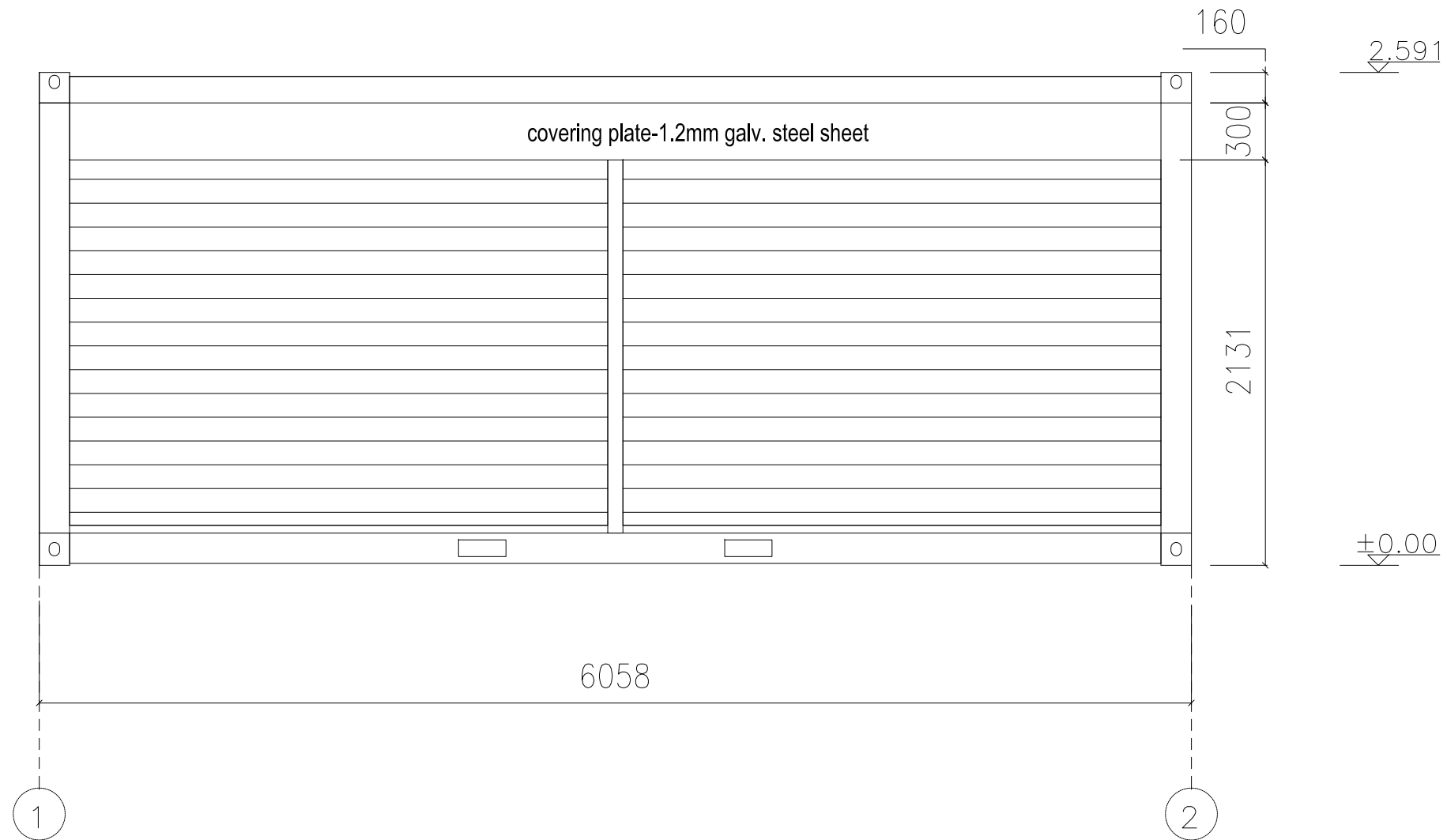
未盖技术出图章 本图纸无效  
 This drawing is valid only after being stamped and released by the R&D





- D3 roller door: W2835mm\*H2300mm
- Ext. wall 75mmEPS sandwich panel, two sides 0.45mm steel sheet (white),EPS density12kg/m<sup>2</sup>
- Int. wall 50mmEPS sandwich panel, two sides 0.45mm steel sheet (white),EPS density12kg/m<sup>2</sup>
- Floor fiber cement board +PVC

版本 Rev.	修改內容 Description	日期 Date
 Zhejiang Putian integrated housing Co., Ltd. Hangzhou Zhongguo Architecture Design (Institute) Co., Ltd.		
证书编号 Certificate No.		
合作设计单位 Cooperative Designer		
工序 Process	签名 Signature	日期 Date
审 定 Authorized By		
审 核 Verified By		
项目负责人 Project Leader		
校 对 Checked By		
设 计 Designed By		
制 图 Drawn By		
设计签字 Engineer Signature		
出图签字 Drawing Release Signature		
项目名称 Project Name	20ft container with 2rooms	
图 名 Title	PLAN	
工程编号 Project No.	PT170310	专业 Major 建筑 Architecture
比 例 Scale		图 号 Drawing No.
未盖技术出图章 本图纸无效 This drawing is valid only after being stamped and released by the R&D		



1~2 grid elevation


版本 Rev.	修改内容 Description	日期 Date
------------	---------------------	------------



Zhejiang Putian integrated housing Co., Ltd.  
 Hangzhou Zhonggu Architecture Design (Institute) Co., Ltd.

证书编号

合作设计单位  
Cooperative Designer

工序 Process	签名 Signature	日期 Date
---------------	-----------------	------------

审 定  
Authorized By

审 核  
Verified By

项目负责人  
Project Leader

校 对  
Checked By

设 计  
Designed By

制 图  
Drawn By

设计签字  
Engineer Signature

出图签字  
Drawing Release Signature

项目名称  
Project Name

20ft container with 2rooms

图 名  
Title

ELEVATION

工程编号  
Project No.

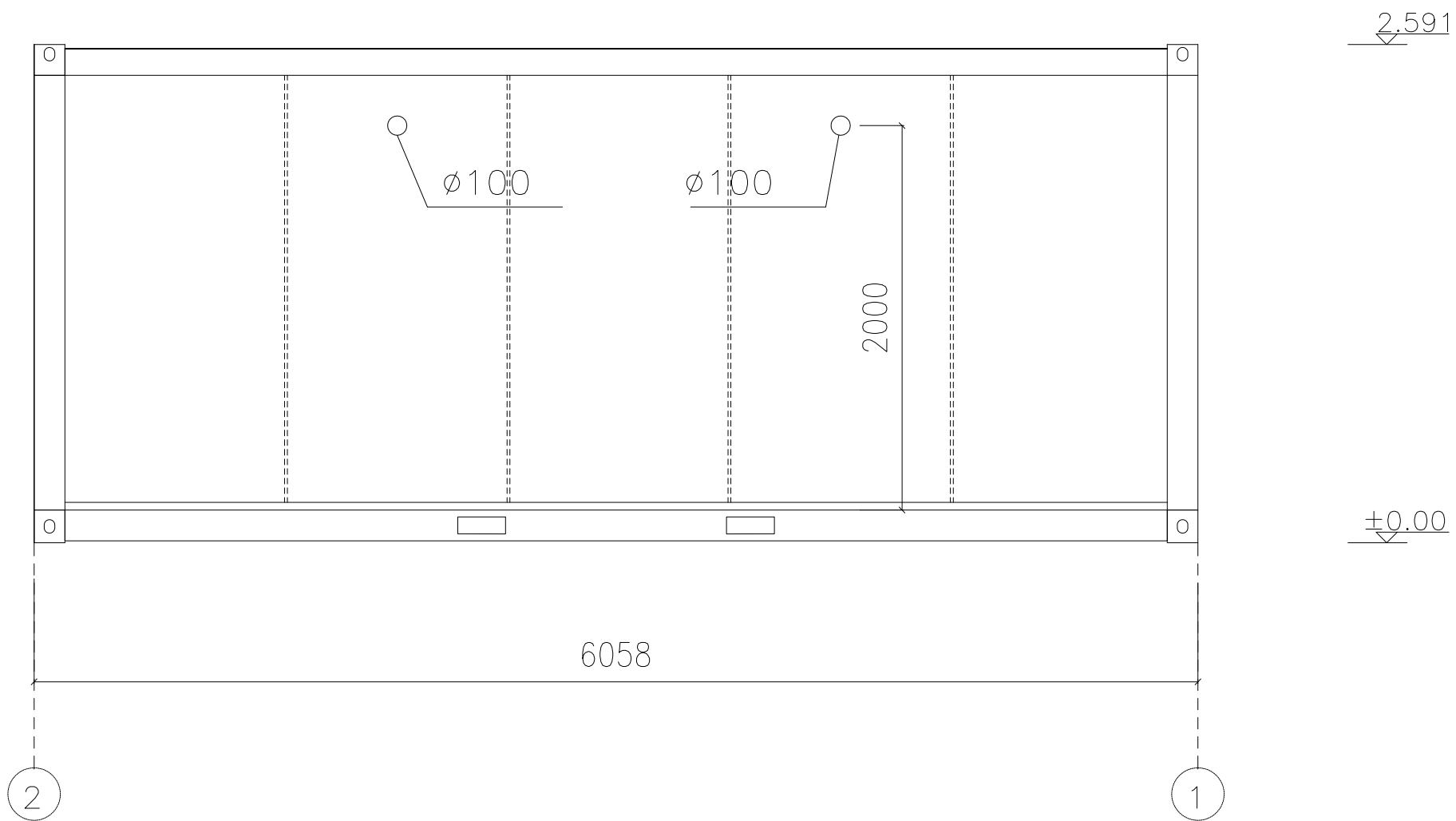
PT170310

专业  
Major

建筑

比例  
Scale

未盖技术出图章 本图纸无效  
 This drawing is valid only after being stamped and released by the R&D



2~1 grid elevation


版本 Rev.	修改內容 Description	日期 Date
------------	---------------------	------------



Zhejiang Putian integrated housing Co., Ltd.  
 Hangzhou Zhongou Architecture Design (Institute) Co., Ltd.

证书等级  
Certificate Level

合作设计单位  
Cooperative Designer

工序 Process	签名 Signature	日期 Date
---------------	-----------------	------------

审 定  
Authorized By

审 核  
Verified By

项目负责人  
Project Leader

校 对  
Checked By

设 计  
Designed By

绘 图  
Drawn By

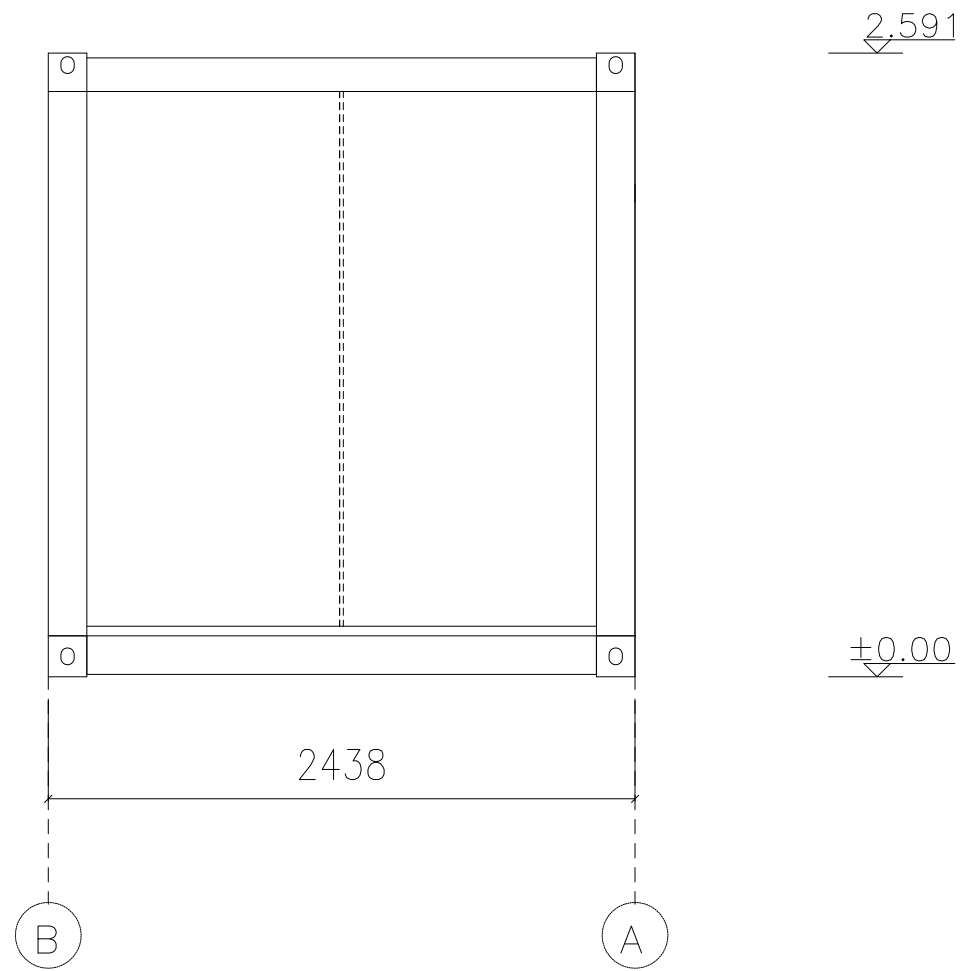
设计签字  
Engineer Signature

工程编号  
Project No. PT170310

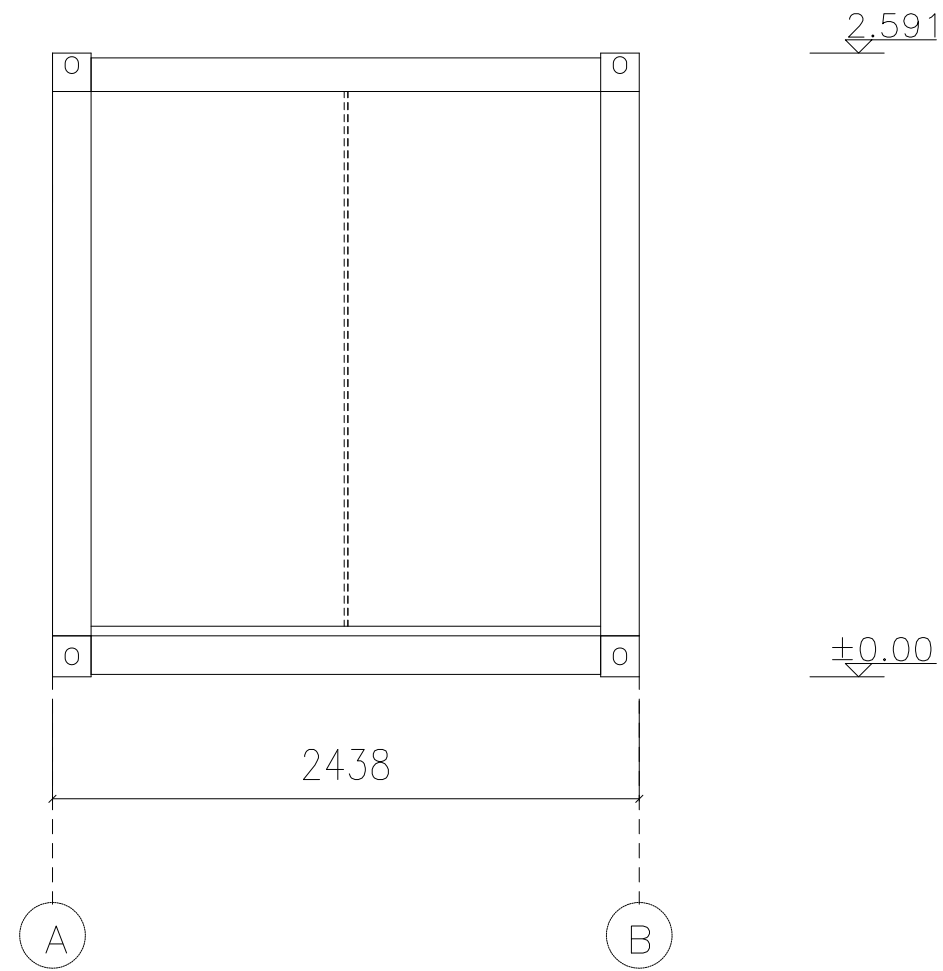
专业  
Major 建筑

比例  
Scale

未盖技术出图章 本图纸无效  
This drawing is valid only after being stamped and released by the R&D



B~A grid elevation



A~B grid elevation


版本 Rev.	修改内容 Description	日期 Date
------------	---------------------	------------



Zhejiang Putian integrated housing Co., Ltd.  
 Hangzhou Zhonggu Architecture Design (Institute) Co., Ltd.

证书等级

证书编号

合作设计单位  
Cooperative Designer

工序 Process	签名 Signature	日期 Date
---------------	-----------------	------------

审定  
Authorized By

审核  
Verified By

项目负责人  
Project Leader

校对  
Checked By

设计  
Designed By

制图  
Drawn By

执业签字  
Engineer Signature

出图签字  
Drawing Release Signature

项目名称  
Project Name

20ft container with 2rooms

图名  
Title

ELEVATION

工程编号  
Project No.

PT170310

专业  
Major

建筑

比例  
Scale

图号  
Fig.No.

未盖技术出图章 本图纸无效  
This drawing is valid only after being stamped and released by the R&D